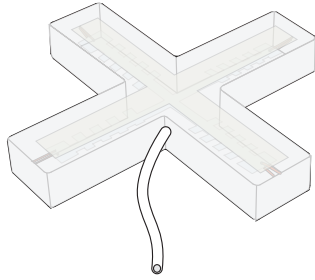
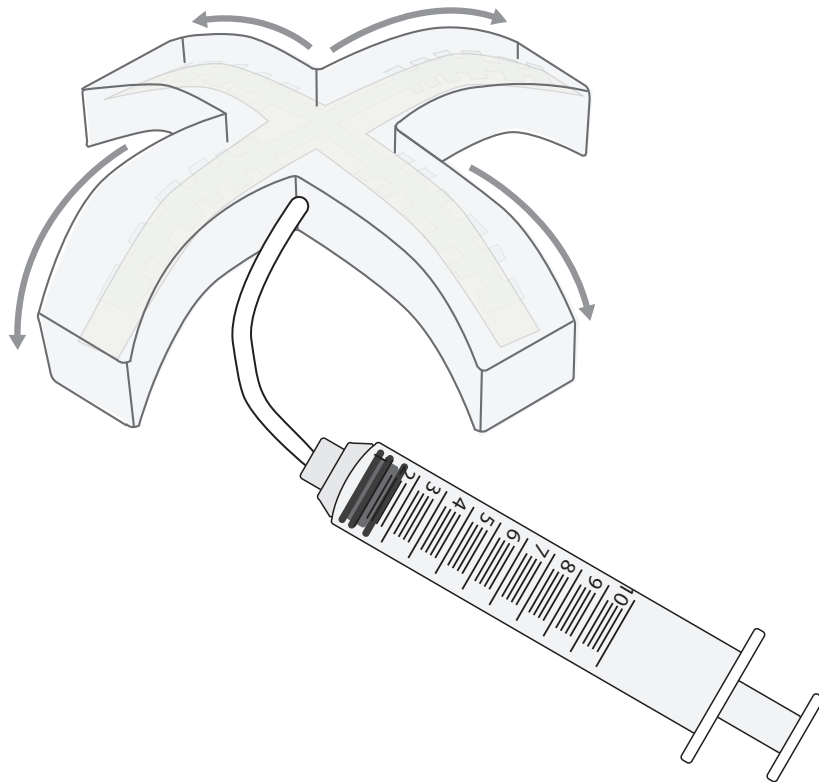


21



22



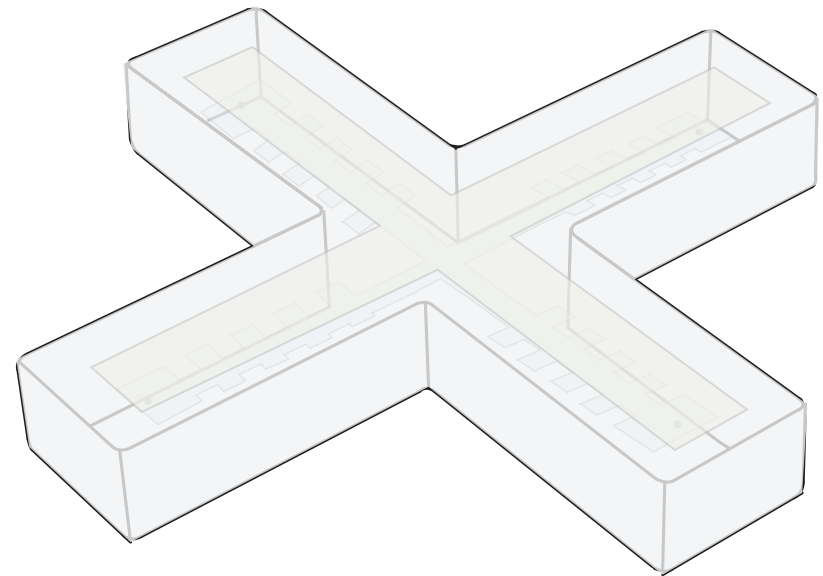
SOFT GRIPPER

A Fabrication Guide

Soft Robotics ToolKit, 2016

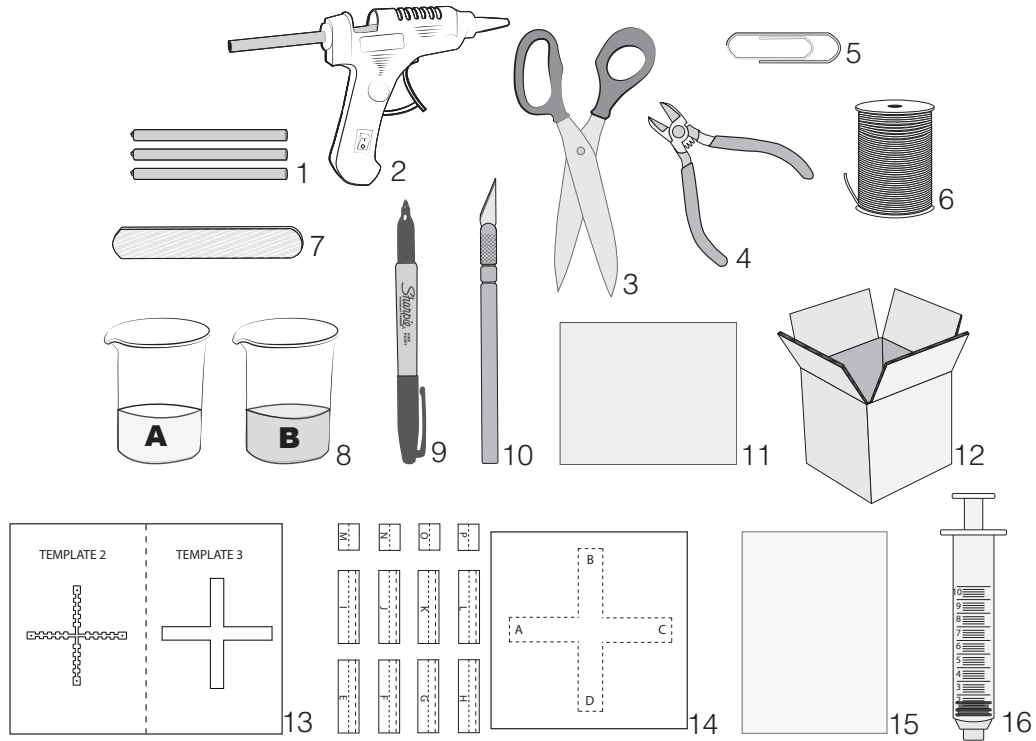
www.softroboticstoolkit.com

Harvard University & Trinity College Dublin

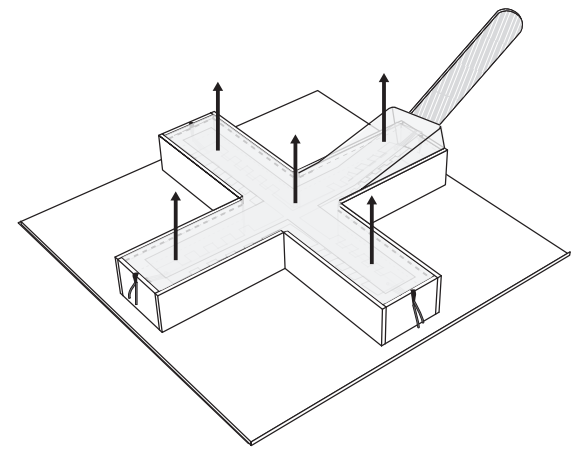


SUPPLIES

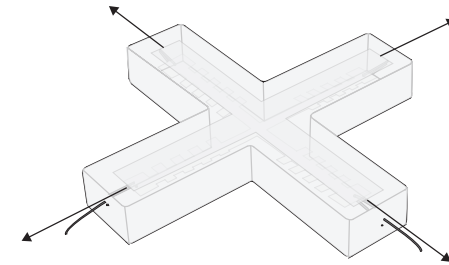
- | | |
|-------------------|--------------------|
| 01 GLUE STICKS | 09 SHARPIE |
| 02 GLUE GUN | 10 X-ACTO KNIFE |
| 03 SCISSORS | 11 MUSLIN FABRIC |
| 04 PLIERS | 12 CARDBOARD |
| 05 PAPER CLIP | 13 TEMPLATES 2 & 3 |
| 06 THREAD | 14 CUTOUTS A-P |
| 07 POPSICLE STICK | 15 ACETATE |
| 08 EPOXY | 16 SYRINGE |



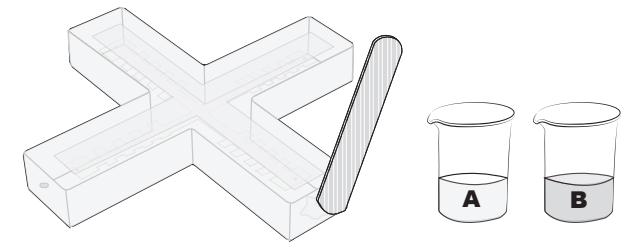
17



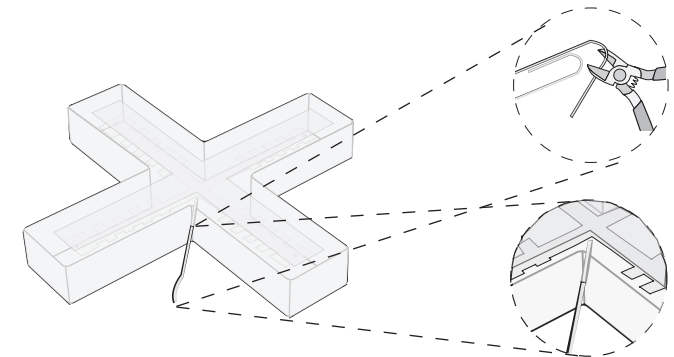
18



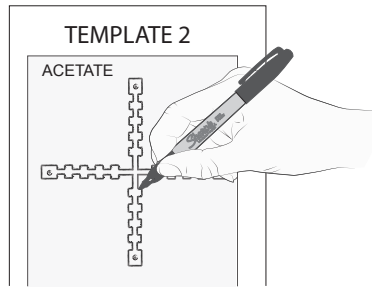
19



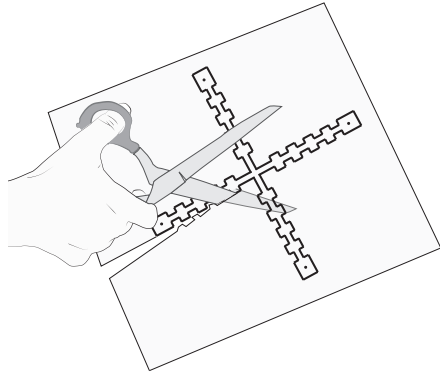
20



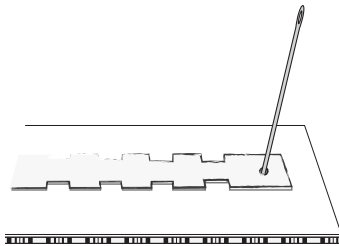
05



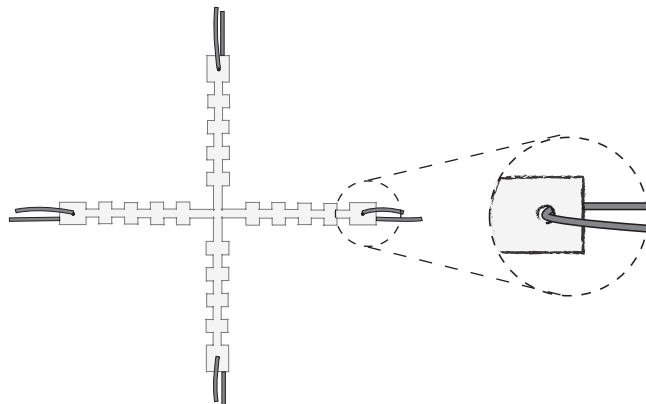
06



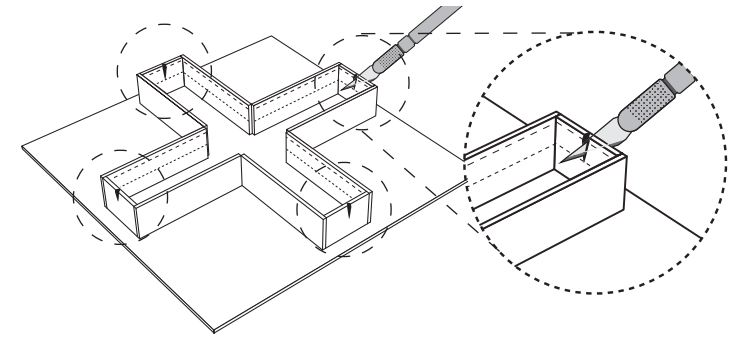
07



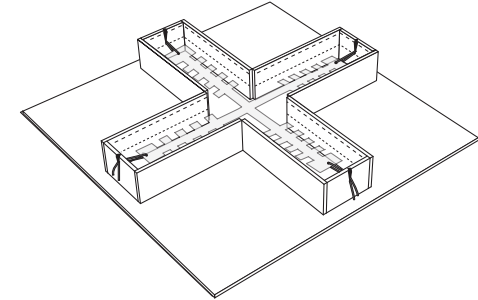
08



09

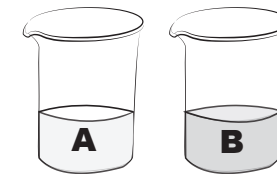


10



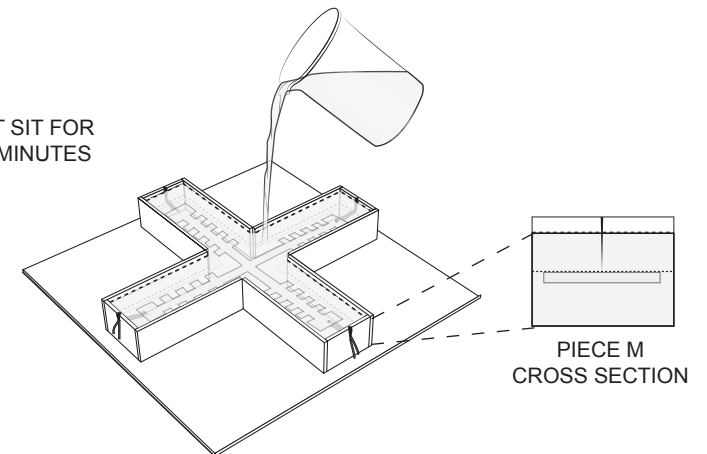
11

MIX

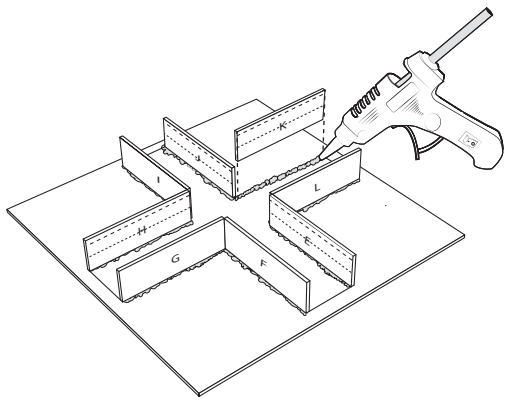


12

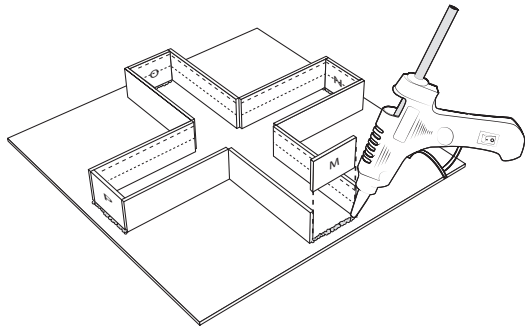
LET SIT FOR 20 MINUTES



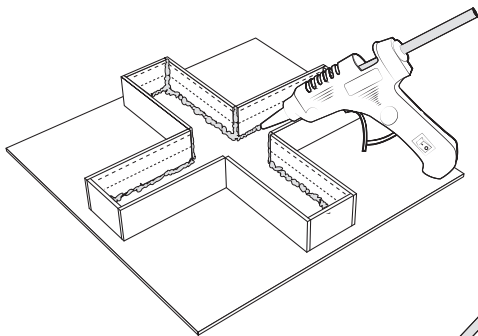
01



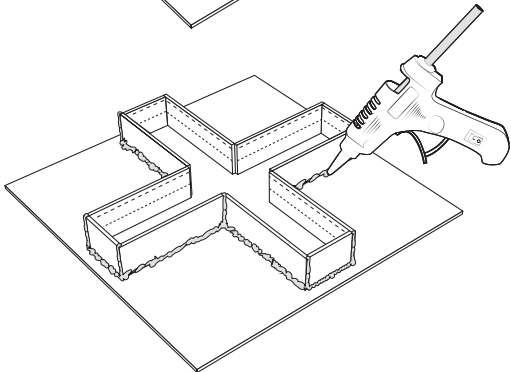
02



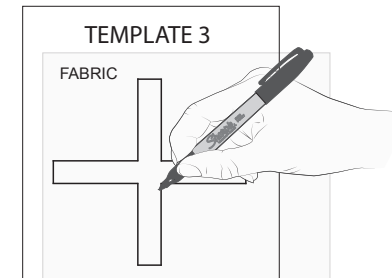
03



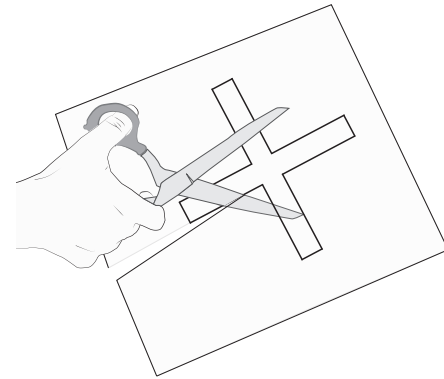
04



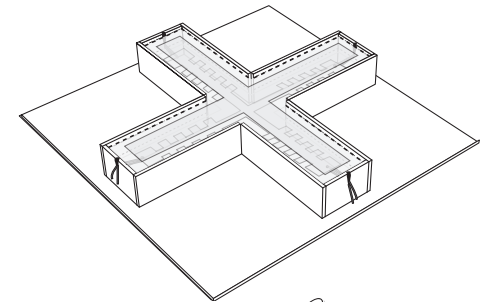
13



14



15



16

LET SIT FOR
2 HOURS

