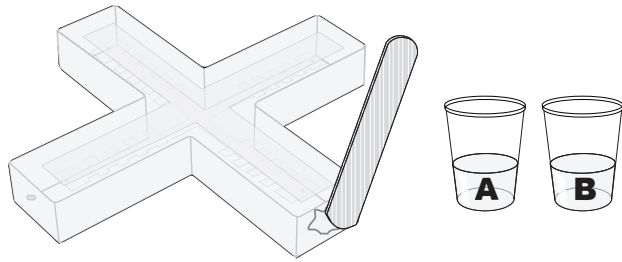
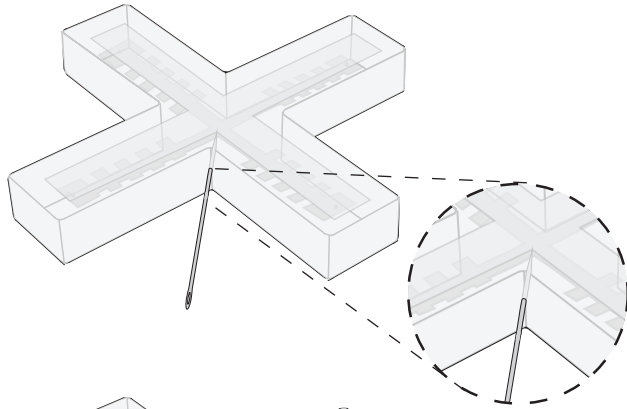


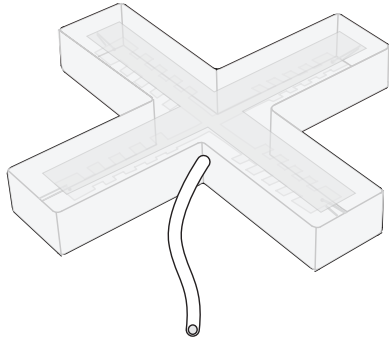
21



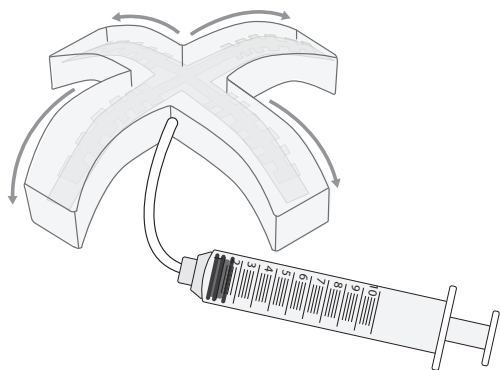
22



23



24



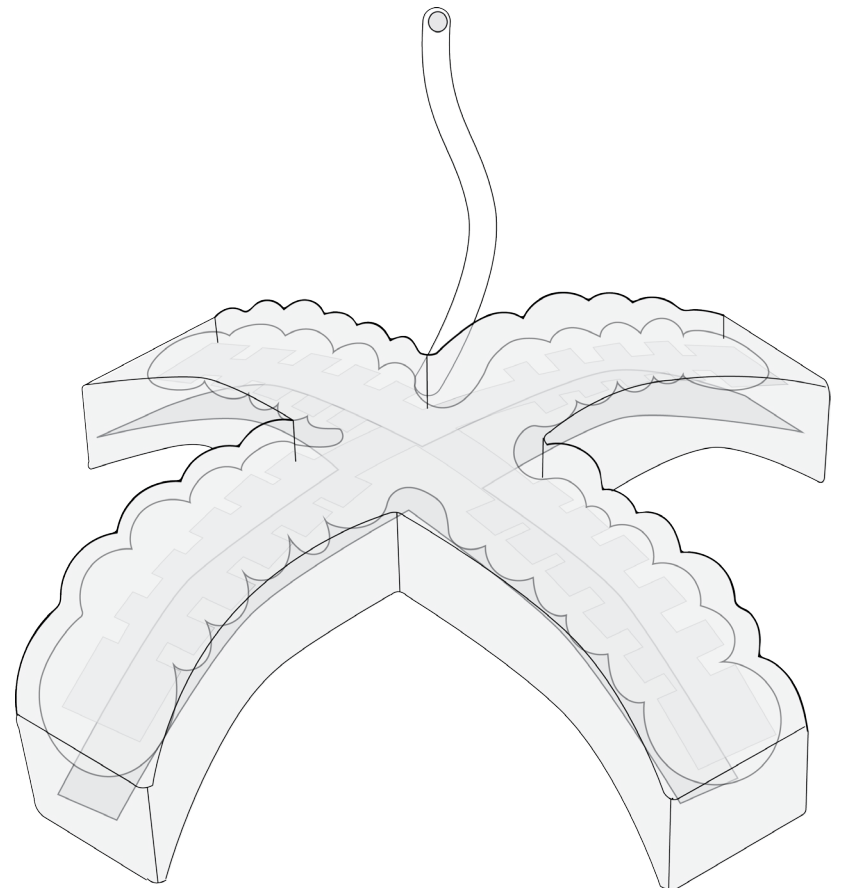
# SOFT GRIPPER

## A Fabrication Guide

*Soft Robotics ToolKit, 2016*

[www.softroboticstoolkit.com](http://www.softroboticstoolkit.com)

*Harvard University & Trinity College Dublin*



# SUPPLIES



GLUE STICKS



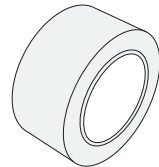
MIXING STICK



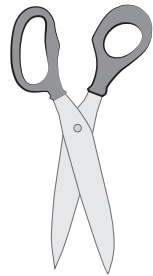
ECOFLEX 00-30



GLUE GUN



CLEAR TAPE



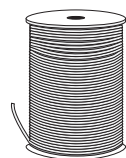
SCISSORS



PASTE GLUE



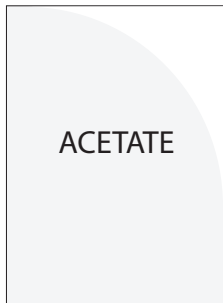
NEEDLE



THREAD



FABRIC



ACETATE



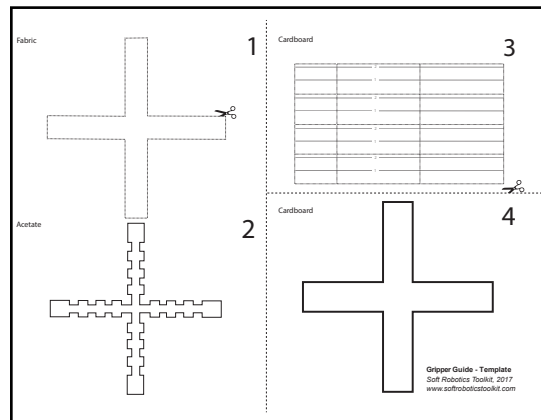
SHARPIE



SYRINGE



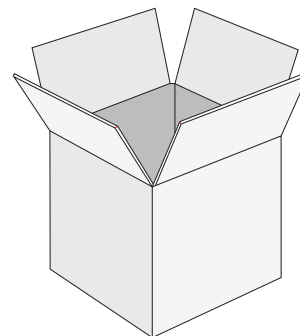
X-ACTO KNIFE



TEMPLATES 1 - 4

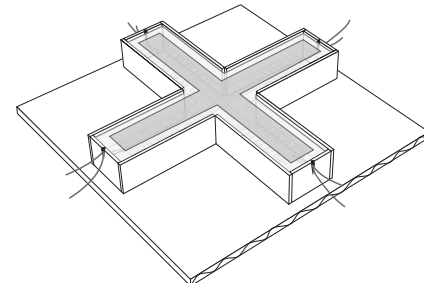


TUBING

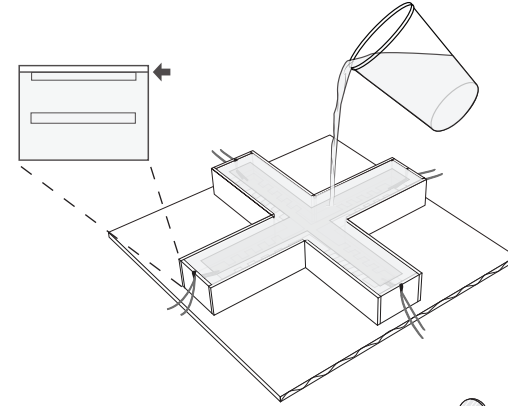


CARDBOARD

17

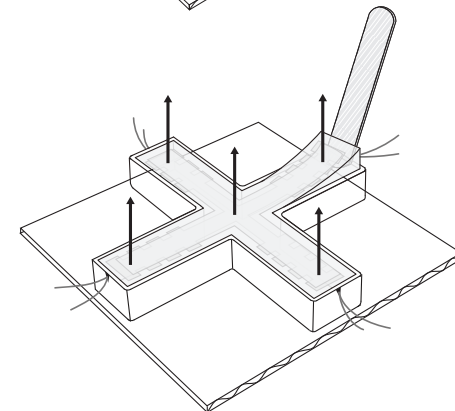


18

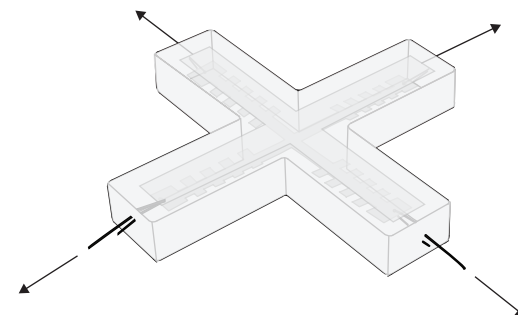


120 MINS

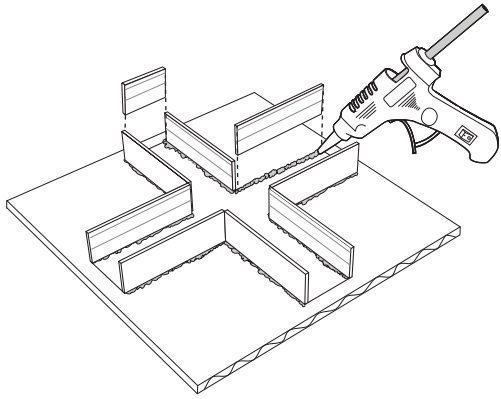
19



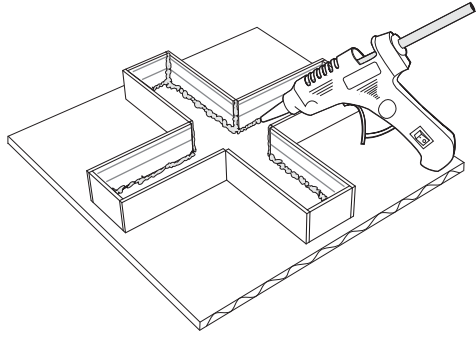
20



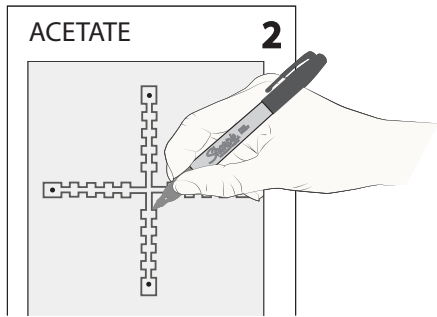
05



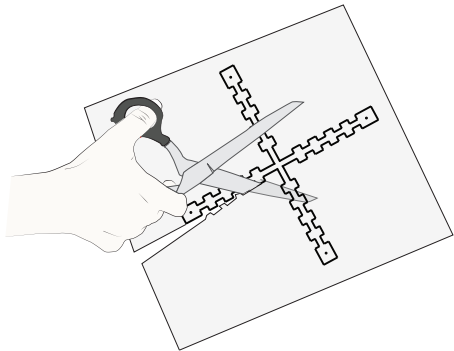
06



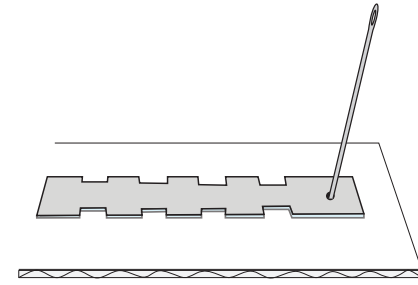
07



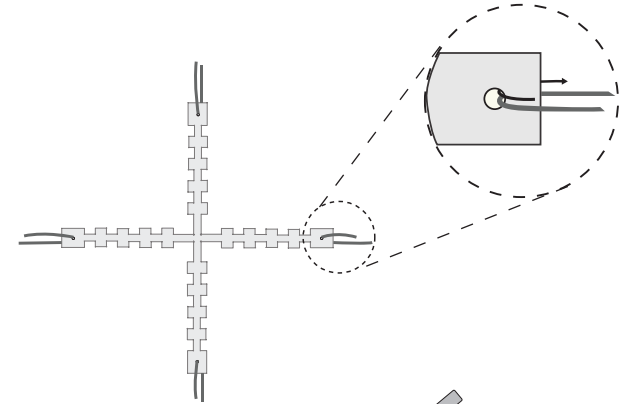
08



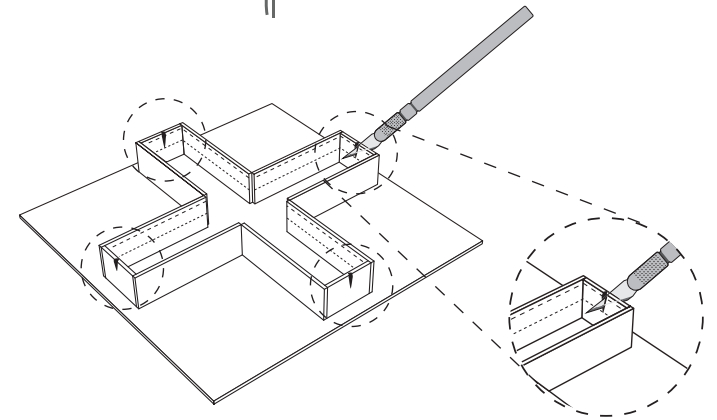
09



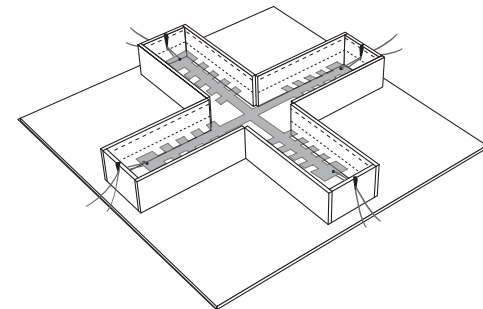
10



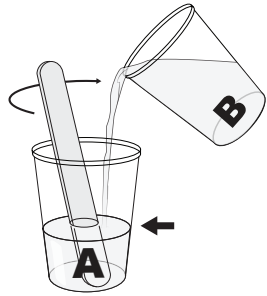
11



12

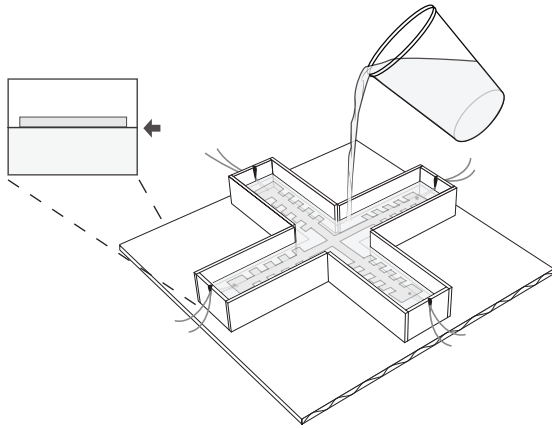


13



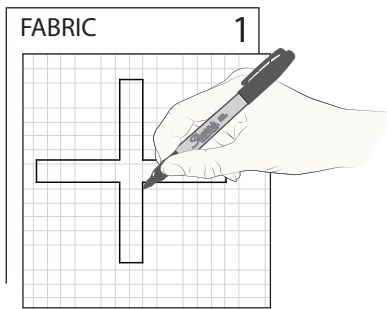
1A:1B

14

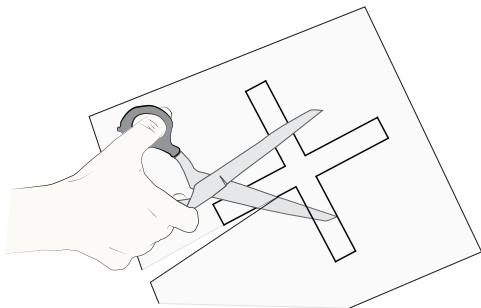


20 MINS

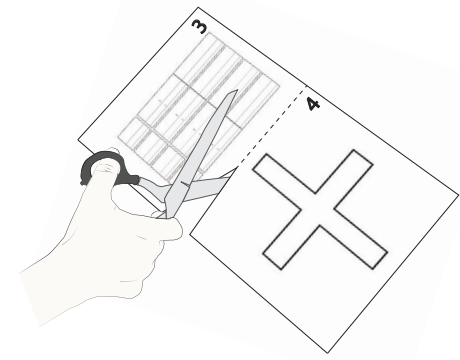
15



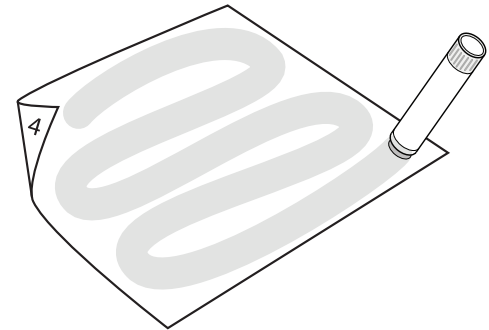
16



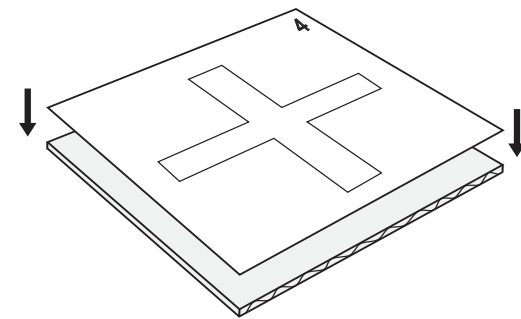
01



02



03



04

