

- Very fast response times
- Accurate output pressure
- Micro parameter settings
- Selectable I/O parameters
- Quick, full flow exhaust
- LED display indicates output pressure
- No air consumption in steady state
- Multiple mounting options
- Protection to IP65
- P31P flows to 19 dm³/s (40 SCFM)
- P32P flows to 57 dm³/s (120 SCFM)



P31P Series
Bottom exhaust



P32P Series
Bottom exhaust

Ordering information

P31P	A	9	2	A	D	2	V	D	1	A
-------------	----------	----------	----------	----------	----------	----------	----------	----------	----------	----------

Body size	Global modular mini (1/4") P31P	Global modular compact (1/2") P32P
-----------	--	---

Engr level	Current A
------------	------------------

Thread type	BSPP 1	BSPT 2	NPT 9
-------------	---------------	---------------	--------------

Port size	Global modular mini (1/4") 2	Global modular compact (1/2") 4
-----------	--	---

Version	Bottom ported exhaust (NC) A	Bottom ported forced exhaust (NO)[†] E
---------	--	---

[†] When the supply voltage is lost the unit will automatically exhaust the regulated pressure to 0 bar (atmospheric pressure)

Power supply	2 24 volts
--------------	-------------------

Control signal	V 0-10V [‡]
----------------	-----------------------------

[‡] Factory setting is 0-10 V control signal. 4-20 mA control signal available via parameter 4 on keypad.

Pressure range	Z 0 - 2 bar (0-29 PSIG)	D 0 - 10 bar (0-145 PSIG)
----------------	--------------------------------	----------------------------------

Input Connector	1 M12 (4-pin)
-----------------	----------------------

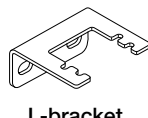
Output signal	D Digital, PNP	P PNP or 0-10V	N NPN or 0-10V	M 4-20mA fixed
---------------	-----------------------	-----------------------	-----------------------	-----------------------

D) Digital PNP output only, no analog output selectable
P) Digital PNP and analogue 0-10V outputs selectable, by means of parameter 6. (Factory default 0-10V)
N) Digital NPN and analog 0-10 V outputs selectable by means of parameter 6. (Factory default 0-10V)
M) Analog 4-20mA output only.
Note: On all analog outputs the F.S. value can be adjusted by means of parameter 8.

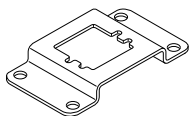
Bold items are most common.

P31P mounting brackets

Part number	Description
P3HKA00ML	L-bracket mounting kit
P3HKA00MC	Foot bracket mounting kit




L-bracket



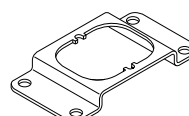
Foot bracket

P32P mounting brackets

Part number	Description
P3KKA00ML	L-bracket mounting kit
P3KKA00MC	Foot bracket mounting kit



L-bracket



Foot bracket

Cables

Part number	Description
CB-M12-4P-2M	2 mtr. cable with moulded straight M12x1 connector

 Most popular.



E

Precision / Proportional Air Preparation Products

Dial Regulators

P3BA208

P3RA302

P3RA102BP

Electronic Proportional

Technical information

Working medium

Compressed air or inert gasses, filtered to 40µ.

Supply pressure

Max. operating pressure:

2 bar unit.....3 bar (43.5 PSIG)

10 bar unit..... 10.5 bar (152 PSIG)

Min. Operating Pressure P2 pressure + 0.5 bar (7.3 PSIG)

Pressure control range

Available in three pressure ranges, 0-2 bar (0-29 PSIG), 0-7 bar (0-101.5 PSIG) or 0-10 bar (0-145 PSIG). Pressure range can be changed through the software at all times. (parameter 19)

Temperature range

0°C up to +50°C (32°F up to 122°F)

Weights:

P31P = 0.291 kg (0.64 lbs)

P32P = 0.645 kg (1.42 lbs)

Air consumption

No consumption in stable regulated situation.

Display

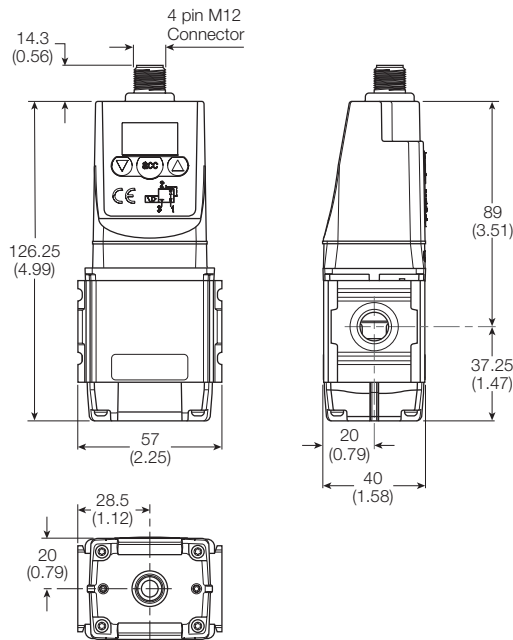
The regulator is provided with a digital display, indicating the output pressure, either in bar or PSIG.

The factory setting is as indicated on the label, can be changed through to software at all times (parameter 14)

⚠ WARNING

**Product rupture can cause serious injury.
 Do not connect regulator to bottled gas.
 Do not exceed maximum primary pressure rating.**

P31P



Supply voltage

24 VDC +/- 10%

Power consumption

Max. 1.1W with unloaded signal outputs

Control signals

The electronic pressure regulator can be externally controlled through an analogue control signal of either 0-10V or 4-20mA. (parameter 4).

Output signals

As soon as the output pressure is within the signal band a signal is given of 24VDC, PNP Ri = 1 kOhm
 Outside the signal band this connection is 0V.

Connections

(In case of output signal (Option D))

Central M12 connector 4-pole

The electrical connections are as follows:

Pin number	Function	Color	
1	24 V	Supply	Brown
2	0 to 10 V	Control Signal Ri = 100k Ω	White
	4 to 20mA	Control Signal Ri = 500k Ω	
3	0 V (GND)	Supply	Blue
4	24 V	Alarm Output Signal	Black

P32P

